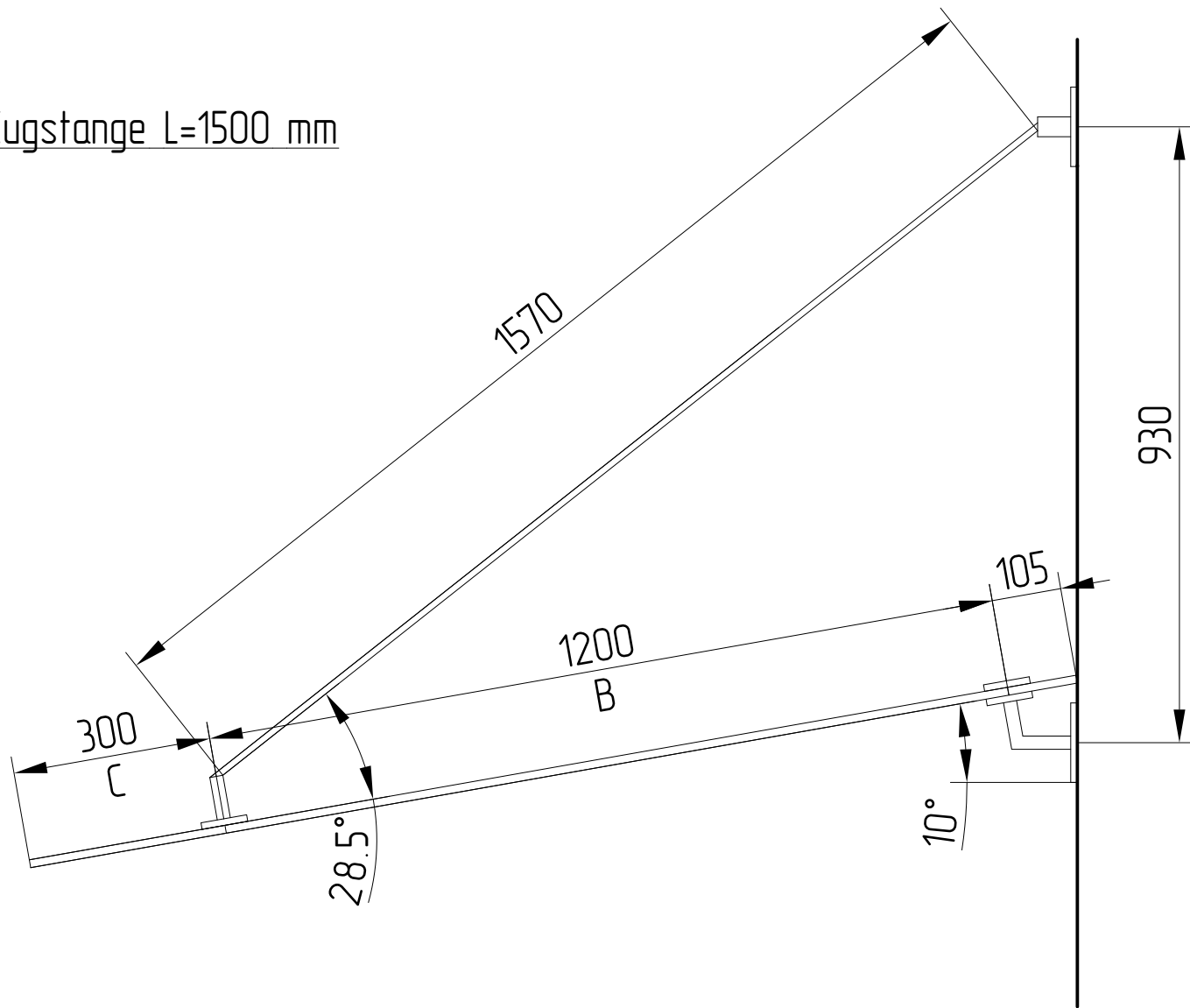


Zeichnung für Zugstange L=1500 mm



**B+G Bauelemente KG**  
 Spitalwaldstrasse 2  
 D-91126 Schwabach  
 Tel.: +49 9122 188 188-0



**B+G Bauelemente KG**

Zeichnung ersetzt keinen statischen Nachweis und ist vom Kunden zu erbringen.

**CONFIDENTIAL:** This document contains information which is subject to obligation of confidentiality and is to be returned upon request, its content may not be copied, disclosed to third parties or used for other than the express purpose for which it has been provided without written consent of .

Punktvordach\_B+G\_Vorlage

Edition	Sheet
	1/2